

The Williams Dining Chair



We believe a dining chair should:

- hold a human upright and alert
- be comfortable for long conversations
- be sensuous to touch
- be graceful and sculptural
- be light
- be strong
- last a long time



If you are considering a set, we will send you a chair, at our expense, for a trial in your home.

cherry



\$775

walnut



\$1075



\$825



\$1125

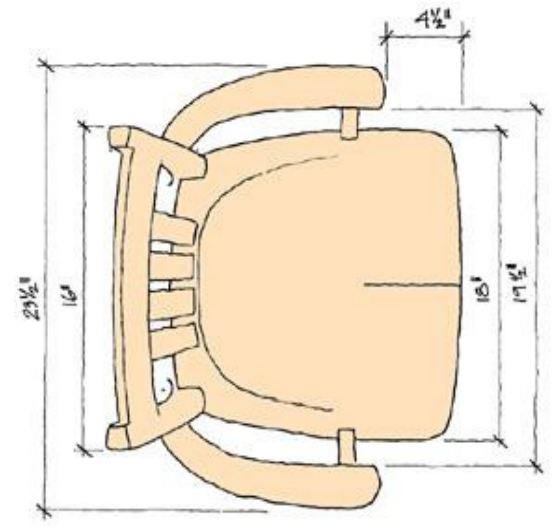
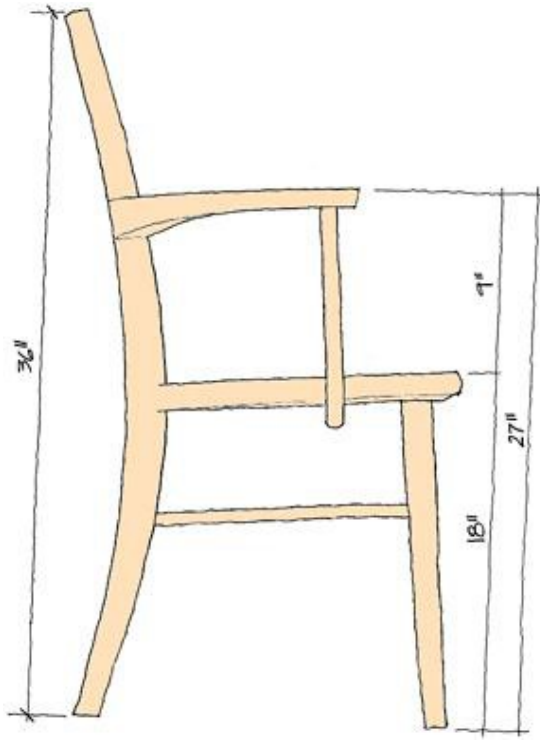
maple



\$825

\$1125

GARY WEEKS & COMPANY
FURNITUREMAKERS



112 West Spoke Hill
Wimberley, Texas 78676

www.garyweeks.com
admin@garyweeks.com

512-847-3187
800-986-3187