

The Mendelsohn Pedestal Table



The center column of this pedestal is a solid, round column, eight inches in diameter, recalling the tree. The parts growing from it have the feel and function of roots, anchoring the table to its ground and spreading the load.

Options

- You may choose the wood.
- We can build the table with a 1" thick top or a 1-5/8" thick top. Tables with 1" thick tops have an apron. Tables with 1-5/8" thick tops do not.
- Tables with 1" thick tops and aprons can be fixed or extension. The apron hides the mechanism. The tables accept 20" leaves. These tables can be 48" or 54" in diameter.
- Tables with 1-5/8" thick tops must be fixed. These tables may be any diameter from 42" to 60." You may choose from three edge treatments.

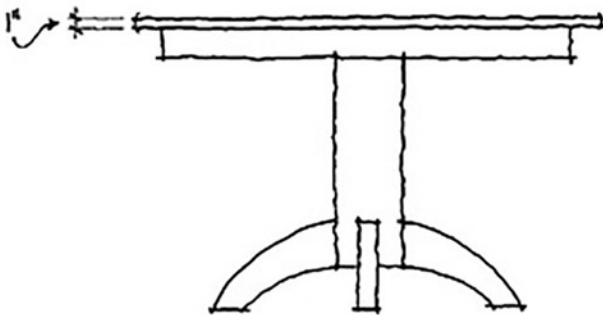
Mendelsohn Pedestal Extension Tables

Pulling on one side of our pedestal extension table opens it and the opposite side with one motion. With the 20" leaf in place, the table is flat, solid, and secure.



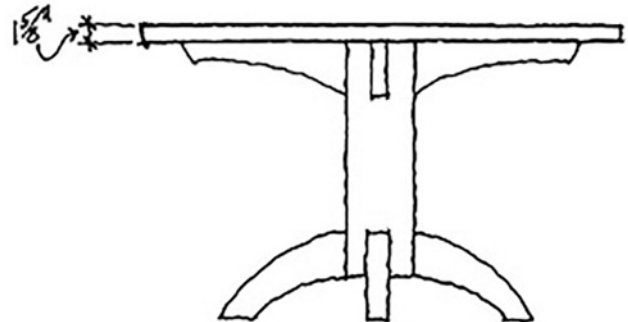
	seats	cherry	walnut	maple
48" with 20" leaf	4-8	\$3,650	\$3,950	\$3,950
54" with 20" leaf	5-9	\$3,950	\$4,250	\$4,250

Mendelsohn Pedestal Tables with Fixed Tops



With 1" Thick Top with an Apron

	seats	cherry	walnut	maple
48"	4-6	\$2,950	\$3,250	\$3,250
54"	5-7	\$3,250	\$3,550	\$3,550



With 1-5/8" Thick Top and No Apron

	seats	cherry	walnut	maple
42"	4-5	\$2,650	\$2,950	\$2,950
48"	4-6	\$2,750	\$3,050	\$3,050
54"	5-7	\$3,050	\$3,350	\$3,350
60"	6-8	\$3,450	\$3,750	\$3,750